

**LOCOR® SIDE-BY-SIDE BATH TISSUE DISPENSER USER GUIDE (SKU NUMBERS DL67021, DL67022, DL67023)**

Designed for maximum sanitary use, this side-by-side bath tissue dispenser offers double tissue roll capacity with minimal roll exposure.

**1. DISPENSER MOUNTING**

See the reverse side for the mounting instructions and the mounting template.

**2. DISPENSER COVER**

The cover can be opened with the supplied key that is included in the package. Insert the key into the slot at the top of the cover. Push down and pull forward and the cover will open.

**3. PAPER ROLL LOADING AND START-UP**

For use with the LoCor bath tissue only (SKU numbers 26821 and 26824). Other types of tissue are not acceptable.

To load the bath tissue rolls, open the cover and then push the Slider Door (Fig. 1) all the way to the **right** side of the dispenser. Now the bath tissue rolls can be loaded by sliding the core of the rolls onto the mandrel on each side (see Fig. 1). Loosen the “paper tails” on both of the tissue rolls (the “tails” are glued to the rolls initially). Make sure that the “tail” of the left roll is visible at the bottom of the dispenser. Close the door. The dispenser now is ready to dispense.

**4. RESERVE ROLL ACCESS**

When the left roll is depleted, push the slider door all the way to the left side of the dispenser to access the reserve roll on the right.

Important note: Once the slider door is pushed to the left side, it will be locked on the left side (to cover the empty roll) until the cover is opened again.

**6. DIAGNOSTICS**

If the left roll is depleted and the Slider Door is locked to the right side, preventing you from using the reverse roll:

- Confirm visually through the window that left roll is fully depleted.
- If left roll is fully depleted and the Slider Door is still locked on the right side, open the cover for further examination.

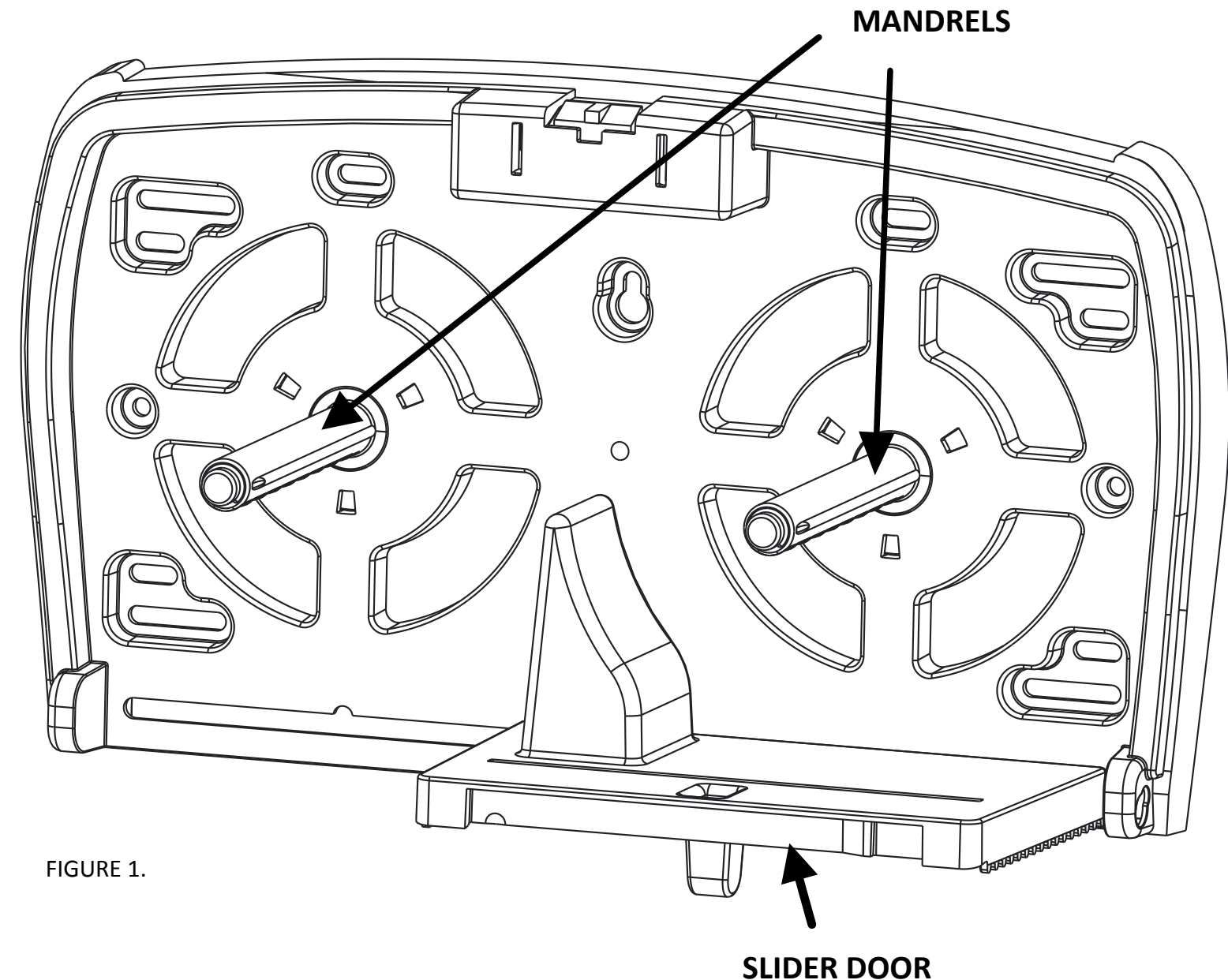


FIGURE 1.

For further assistance, contact technical dispenser support at (920) 940-8904.

# Mounting Instructions

**Tools:**

- Screwdriver
- Power Drill with appropriate drill size
- Pencil
- Level and Tape Measure

**Step 1**

Measure a minimum of **18"** minimum from the floor to the bottom of the dispenser, as marked on template.

**Step 2**

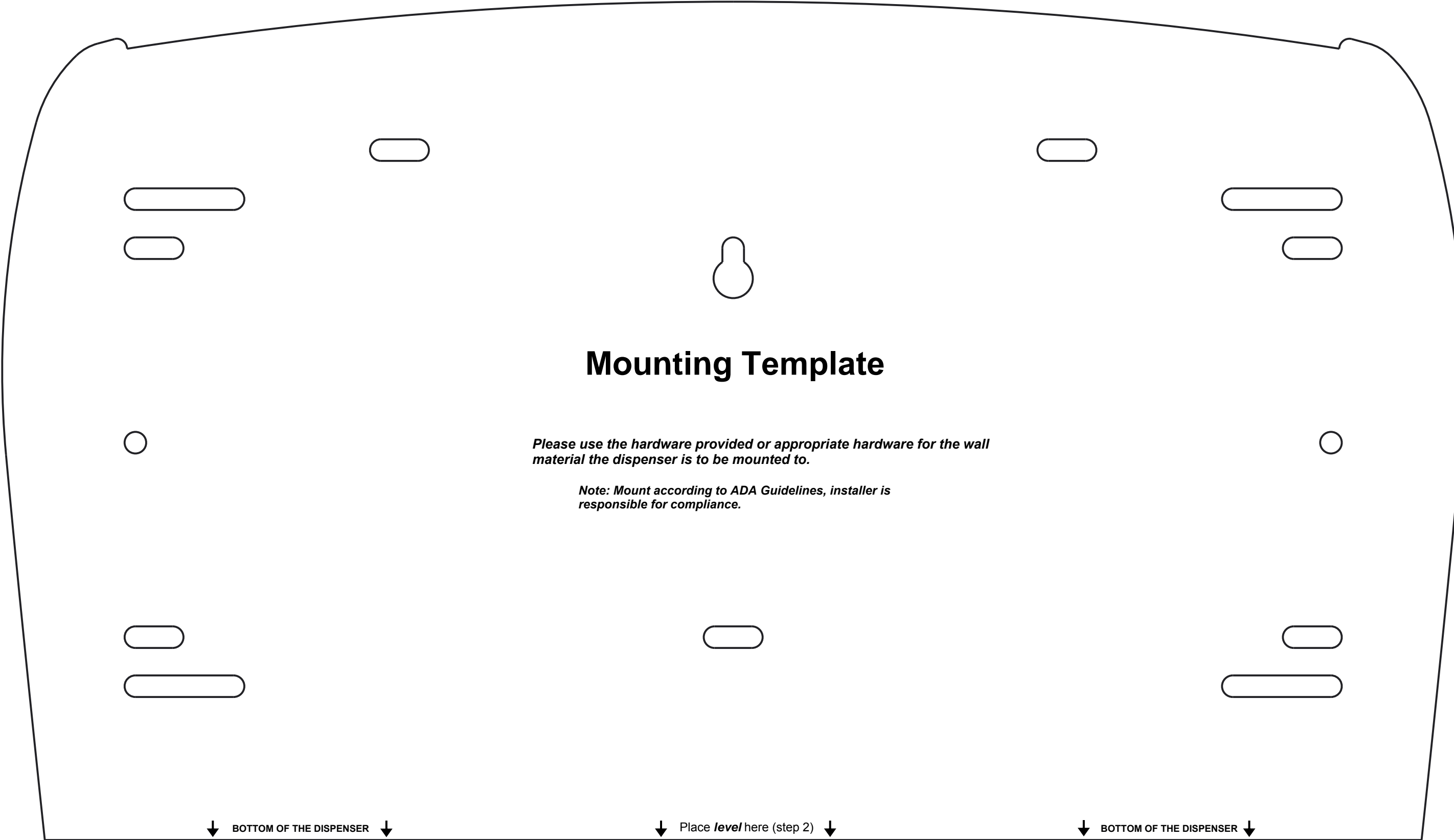
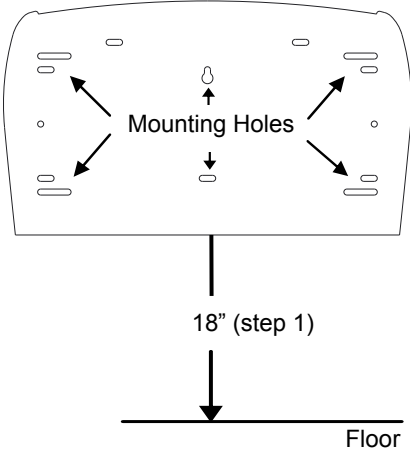
Place a **level** at the bottom of the dispenser marked on template, level template and tape onto wall. Mark the 4 mounting holes at the hole centers. Remove template and drill 4 pilot holes.

**Step 3**

Loosly fasten dispenser to wall using the top 2 screws.

**Step 4**

Fasten the remaining bottom 2 screws. Tighten all screws so dispenser is securely installed.



## Mounting Template

*Please use the hardware provided or appropriate hardware for the wall material the dispenser is to be mounted to.*

*Note: Mount according to ADA Guidelines, installer is responsible for compliance.*