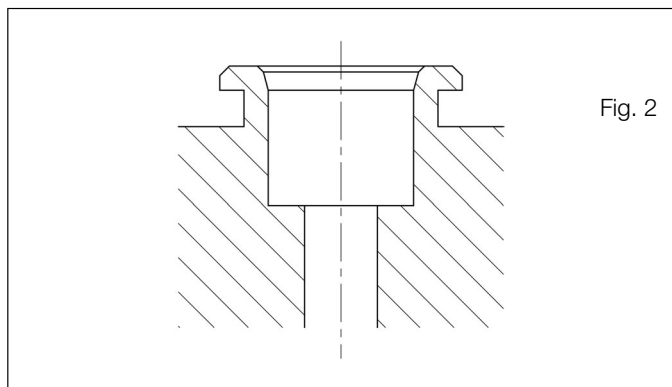
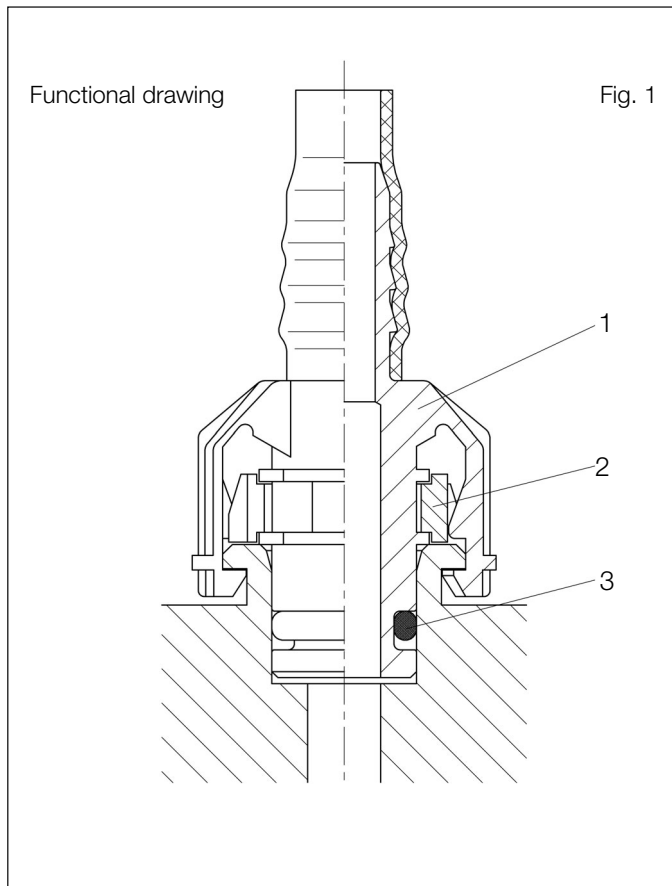


Product description VOSS quick connect system 246



Application

The VOSS quick connect system 246 is used primarily as connecting element between fuel line and fuel component as well as inline connector. It permits safe and rapid assembly.

Range of application

The VOSS quick connect system 246 is designed for a temperature range of -40°C to $+100^{\circ}\text{C}$. Subject to operating conditions, the maximum operating pressure of the system is: 20 bar for nominal size NS 8 and 12 bar for nominal size NS 12.

The system is available with the following sealing materials depending on the medium used:

- NBR for diesel fuel acc. to DIN EN 590
- FPM for diesel fuel acc. to DIN EN 590 and for diesel fuel made from vegetable oil methyl ester acc. to DIN 51 606 - PME (RME)

Applications for other operating conditions are available on request.

VOSS operating and assembly instructions are to be observed.

Individual components/materials

- 1 Plug with barbed tail
PA 66 GF 35, black
- 2 Release element
POM, white
- 3 O-ring seal
NBR or FPM

Functional description

The fuel line (nylon tubing) is mounted onto the barbed tail of the plug. VOSS can provide assembly units for this operation.

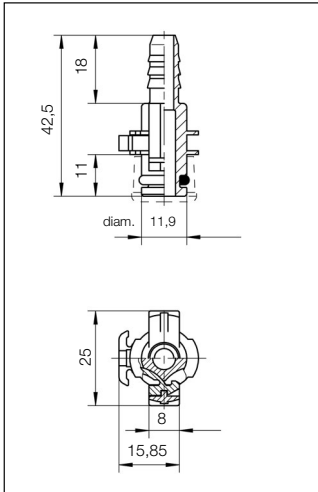
The connection to the fuel component is made by means of the connecting port illustrated in fig. 2. Drawings with the appropriate tolerances are provided on request.

For the connection of two nylon tubes a straight inline connector has to be used.

The fuel line is connected to the fuel component by inserting the plug into the connecting port (fig.2). In so doing the two arms of the plug are locking behind the flange of the connecting port. In this position the connection is completed and tight.

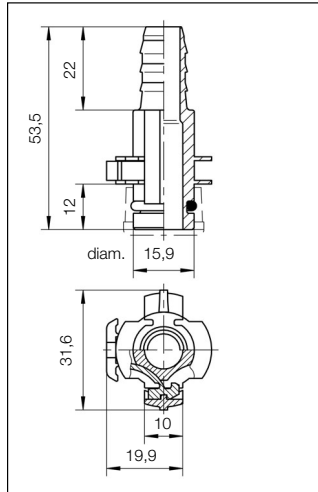
By pressing the release element, the two arms are spread to allow disconnecting.

Quick connector 246
nominal size NS 8



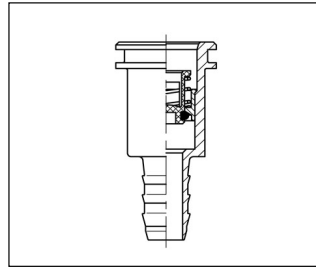
Straight plug NS 8 for ID 6
nylon tubing

Quick connector 246
nominal size NS 12



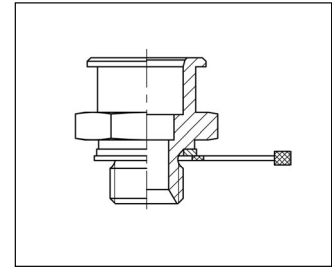
Straight plug NS 12 for ID 10
nylon tubing

Inline connector

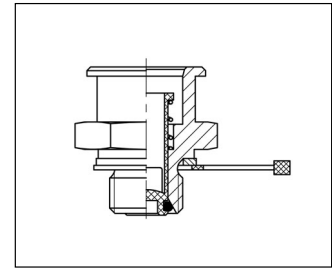


Straight connector with flow
stop valve

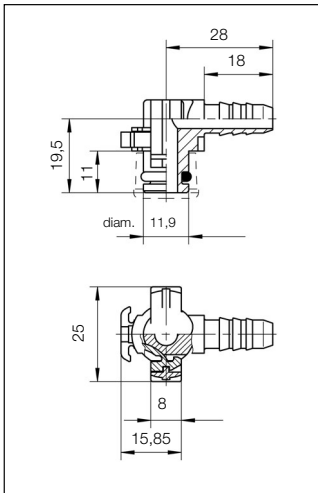
Adapter for fuel
components



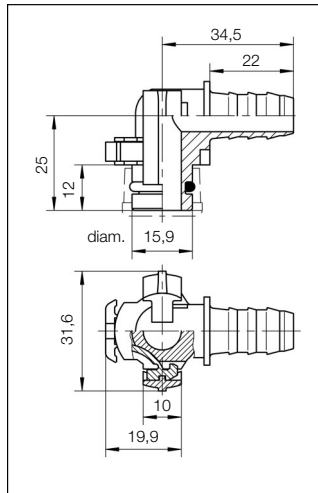
Adapter



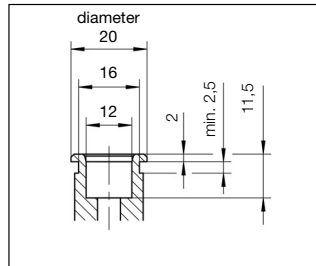
Adapter with flow stop valve



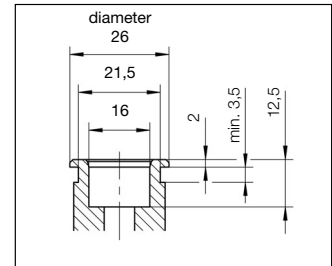
Elbow plug NS 8 for ID 6 nylon
tubing



Elbow plug NS 12 for ID 10
nylon tubing



Connecting port for NS 8



Connecting port for NS 12

Additional designs and dimen-
sions and line assemblies are
available on request.