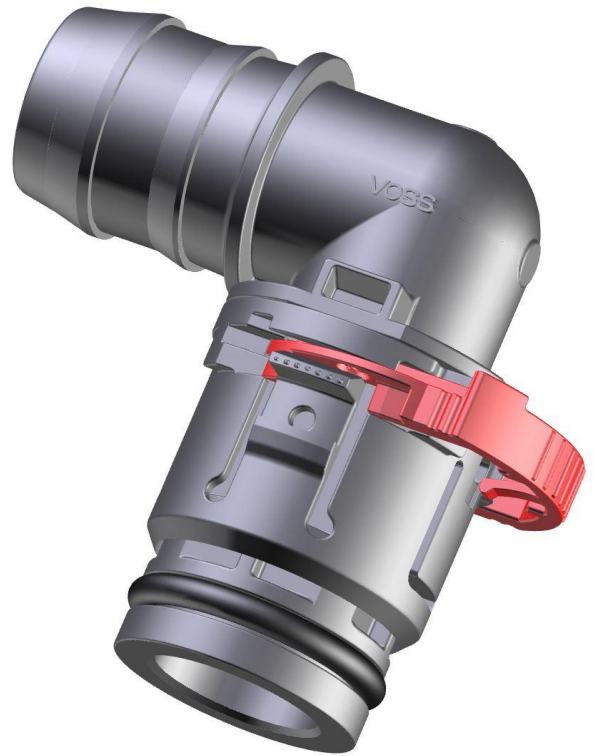
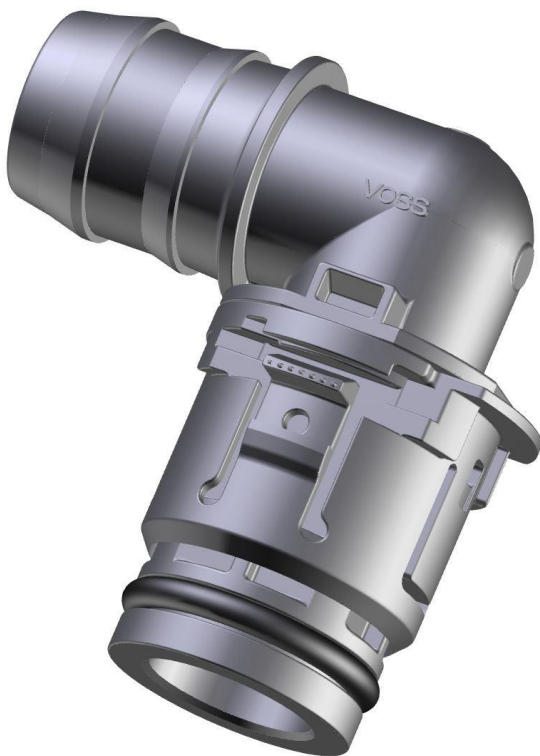


Product information quick connect system 271

Plastic plugs for the fir-tree connection of cooling lines,
especially for battery temperature control

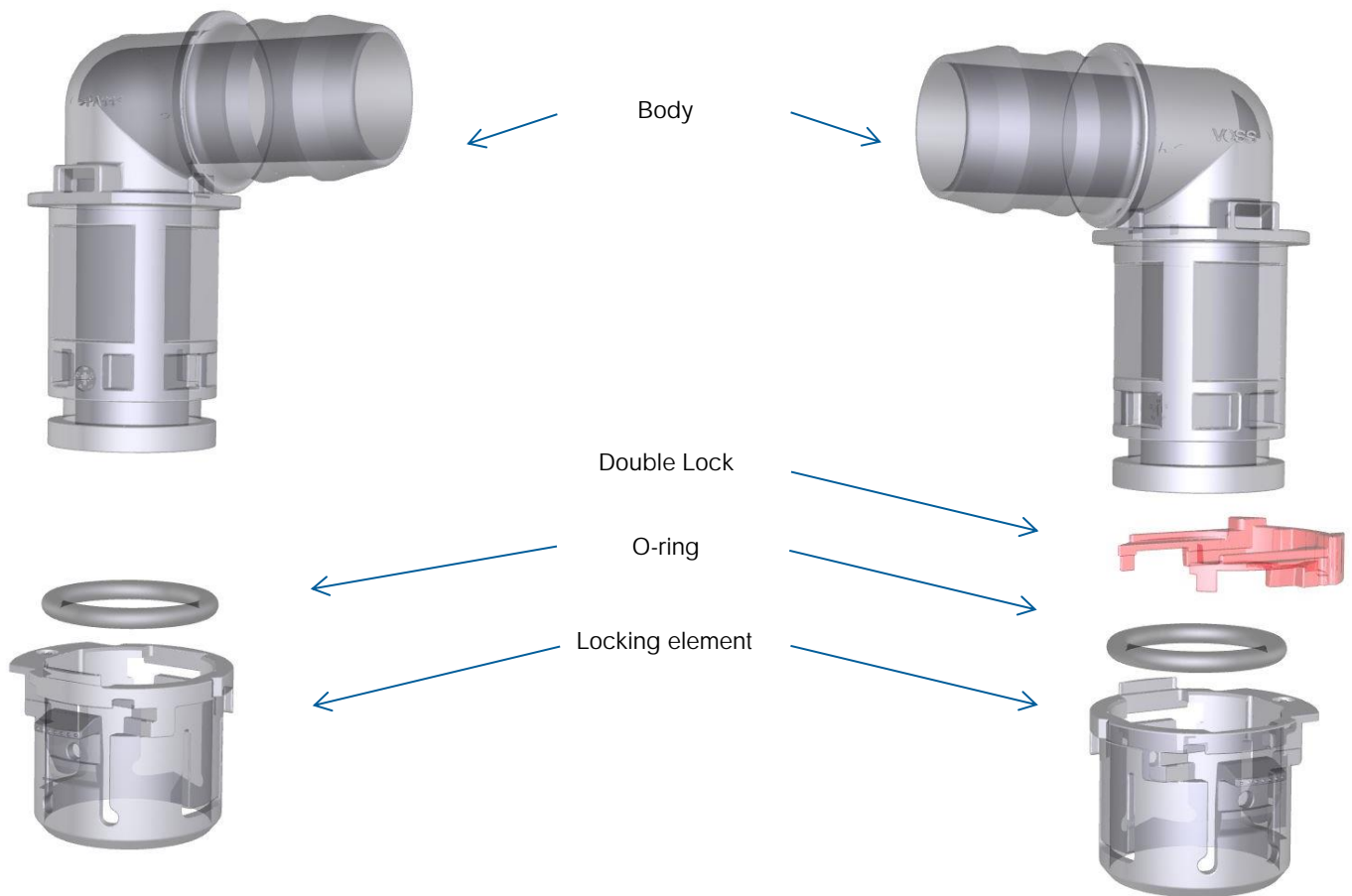


- In case of limited assembly space connector can be supplied with release mechanism in two different positions
- Connecting port acc. to VOSS standard, particularly suitable for components with recessed ports, or with material for profiled bores
- Very low system height
- Easy handling
- Tool-free disassembly
- Double Lock (DL) as an optional safety device
- Double Lock can only be activated when connector is completely assembled

The benchmark for customized connection solutions in thermal management

VOSS quick connect system 271

VOSS quick connect system 271^{DL}



- Connection of PA tubes
- Straight and elbow connectors made of plastic
- Available sizes: S6, S10, S14, S18
- Standard or Double Lock version
- Retaining clip can be pre-assembled in 2 possible positions

- No cross-section jumps
- Operating pressure 2 bar
- Operating temperature range -40 °C to +85 °C
- Pre-assembled lines
- Customer-specific ports
- Integration of thermal sensors possible



Comparison:
SAE 11,8
VDA NW8
VOSS 271 S10