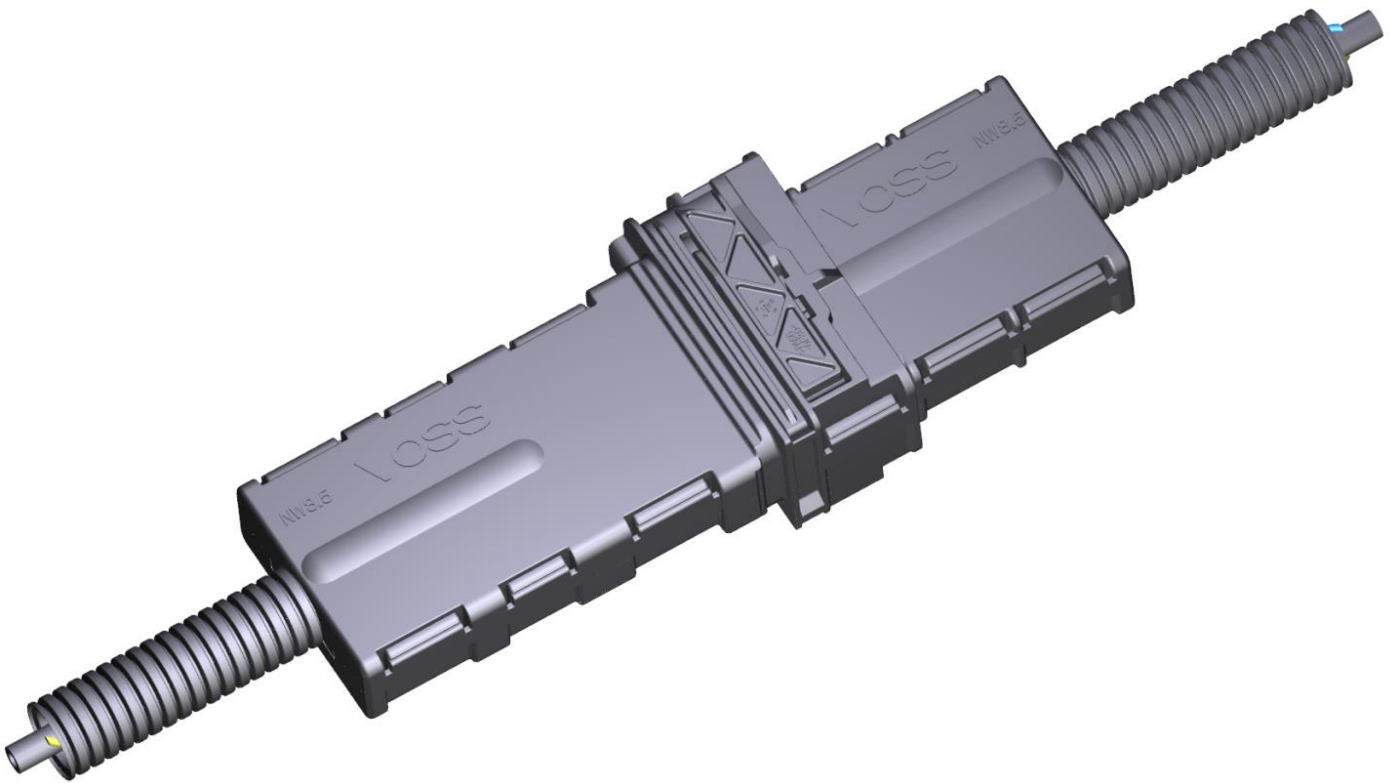


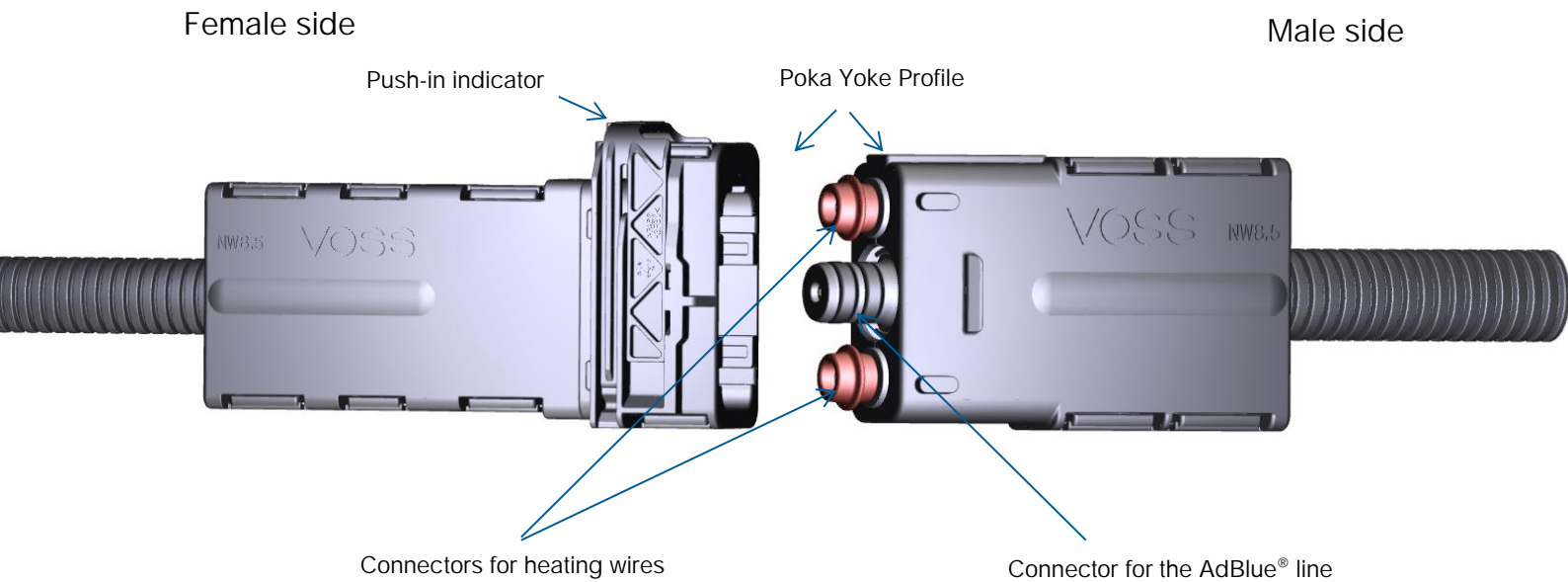
Product information quick connect system 301 *EFSP* Electric-Fluidic Separation Point



- Reduced assembly and package space
- Reduced number of components, easy handling, reduced assembly steps
- Validated heating and sealing concept, well-proven thermal isolation
- Well-proven laser-welded connection of the fluid lines
- Connection of AdBlue® line and heating wires with one single process step
- Optional secondary lock for additional visual connection indicator
- Secondary lock can only be activated when connector is completely assembled
- Visual connection indicator for subsequent assemblies

Separation point for
electrically heated SCR lines

VOSS quick connect system 301 ^{EFSP}



- Connection of PPA tubes
- For tube size 4x1
- Pre-assembled lines
- Optional as standard or secondary lock version
- Poka Yoke design for a secure and proper connection
- Compatible with high temperature lines
- Optimized thawing performance
- More efficient heating in the interface zone
- Less entrapped AdBlue®/ residual ice volume
- Continuous inner diameter
- Operating pressure 10 bar
- Operating temperature range -40 °C to +120 °C

